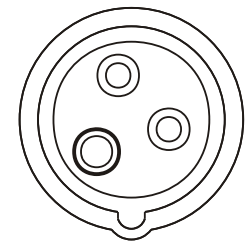
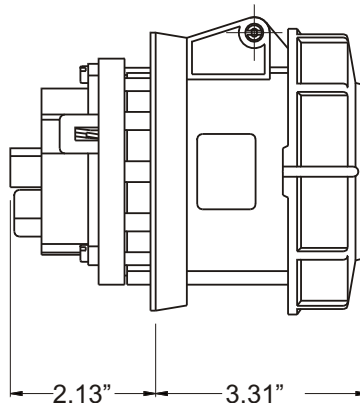
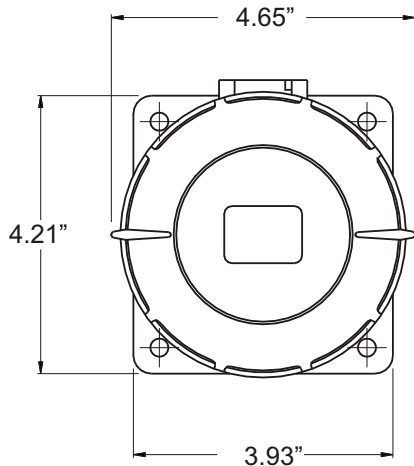


RECEPTACLE, PANEL MOUNTED

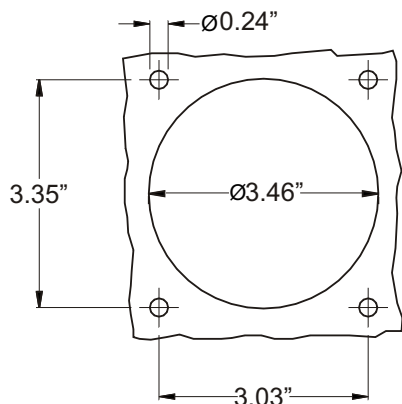
Part No.	ME 360R7W
Description:	60 Amp 480Vac 2 Pole, 3 Wire Receptacle
Construction:	Watertight IEC IP 67
Approvals:	UL Listed Standards 1682; 1686 CSA Certification to Spec. C22.2 No. 182.1 IEC 60309-1; IEC 60309-2

IEC COLOR CODE: Red

GROUND SOCKET: 7 Hour Position Mates with Male in 5 Hour Position.



Front View of Receptacle



Panel Cut Out

Wire Range: #4-#8 AWG

Drawing Not to Scale